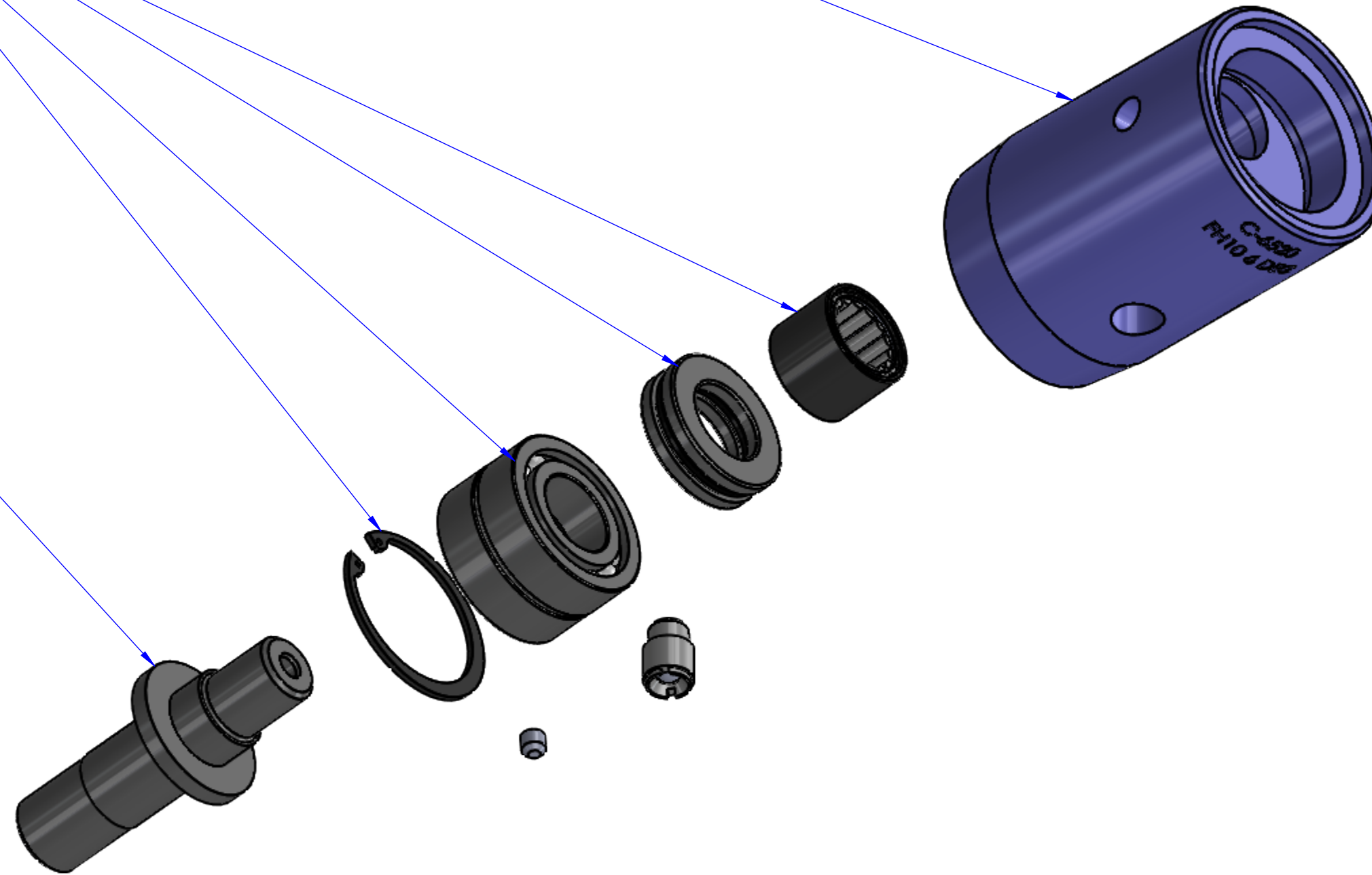



FH10
BEARING KIT

D-06546
HOUSING

C-06547
PEEN HOLDER



DET. No.	QTY	SHT	DESCRIPTION	MATERIAL
			INCHES	MILLIMETERS
			2PLACES ±.010	1PLACES ±0.3
SOLIDWORKS 2013 DRAWING			3PLACES ±.005	2PLACES ±0.25
			4PLACES ±.0005	3PLACES ±0.013
AVOID MANUAL CHANGES			ANGULAR DIMENSIONS ± 1/2°	ANGULAR DIMENSIONS ± 1/2°
			BREAK SHARP CORNERS 1/64	BREAK SHARP CORNERS 0.5
				
180 Shafer Drive Romeo, MI 48065 (586) 752-4200 FAX # (586) 752-9804				
NOTICE: THIS DRAWING MAY INCLUDE UNPUBLISHED PROPRIETARY MATERIAL DEVELOPED BY EXPERIENCED CONCEPTS AND AS SUCH IS NOT TO BE COPIED, REPRODUCED, DISCLOSED OR USED IN ANY WAY OR FORM WITHOUT PRIOR WRITTEN AUTHORIZATION FROM EXPERIENCED CONCEPTS INC.		SCALE 1:1	DATE 8/21/2013	DRAWN BY: P.H.
TITLE 6 DEG. FORMING HEAD				
MODEL XXX		SHEET 2 OF 2		DRAWING NUMBER C-6520